

# 2200 Series POS Bundle

## 2200 POS Bundle Installation Guide

---

Thank you for selecting UTC RETAIL's innovative 2200 Series Point of Sale bundle solution!

This guide is designed to help you efficiently assemble the 2200 Series POS Bundle System.



# 2200 Series POS Bundle System Installation Guide

---

This guide was prepared by UTC RETAIL to assist personnel with the installation of the bundle components. All attempts have been made to ensure that the information presented in this manual is correct. No liability, expressed or implied, will be assumed by UTC RETAIL or affiliates for damage resulting from the use of this information.

All rights reserved. No part of this document may be reproduced, stored in a retrieval system, or transmitted in any form or by any means, electronic or mechanical, including photocopying, recording, or otherwise, without the prior written permission of UTC RETAIL.

If a unit needs to be shipped to UTC RETAIL for repairs, please return it in the original packaging material and shipping container. If you have questions, please call UTC RETAIL's Technical Support at 1.800.349.0546.

This equipment has been tested and found to comply with the limits for a Class "A" digital device, pursuant to Part 15 of the FCC Rules. These limits are designed to provide reasonable protection against harmful interference when the equipment is operated in a commercial environment. This equipment generates, uses, and can radiate radio frequency energy and, if not installed and used in accordance with the instruction manual, may cause harmful interference to radio communications. Operation of this equipment in a residential area is likely to cause harmful interference, in which case the user will be required to correct the interference at his/her own expense.



## **WARNING: CMOS Battery Damage**

Replace your system's CMOS RAM battery only with identical CR-2032 3V Lithium-Ion coin cell (or equivalent) battery type to avoid risk of personal injury or physical damage to your equipment. Always dispose of used batteries according to the manufacturer's instructions, or as required by the local ordinance (where applicable). Any damage due to not following this warning will void your equipment warranty.



All access to internal components is restricted to Authorized Service personnel only.

**If applicable, the key for this device should be in the possession of Qualified Service Personnel Only and used for access by an Authorized and Qualified Service Person.**

## Table of Contents

2200 Series POS Bundle System Installation Guide .....	2
Product Information .....	4
Un-boxing the System.....	5
Installation.....	5
Powering On Your 2200 Series POS Bundle System.....	11
Troubleshooting Procedures.....	12

## Product Information

You will find the following components inside the 2200 Series POS Bundle System Box:

- Safety Sheet
- 2200 Series POS unit (PC / logic device)
- A/C power cord for logic device
- LCD Display
- Cash drawer
- Barcode scanner
- POS receipt printer
- Keyboard
- Mouse

**Note:** The following optional items may or may not be present depending on the configuration purchased and may be shipped in a separate box.

- Magnetic Stripe Reader (MSR)
- Payment Terminal - Pin Pad device, power supply & cables
- Payment Terminal - Signature Capture device, power supply & cables
- Customer Display
- Inventory Scanner
- AC Power Conditioner
- Traffic Counter and Door Sensor
- Label / Ticket Printer

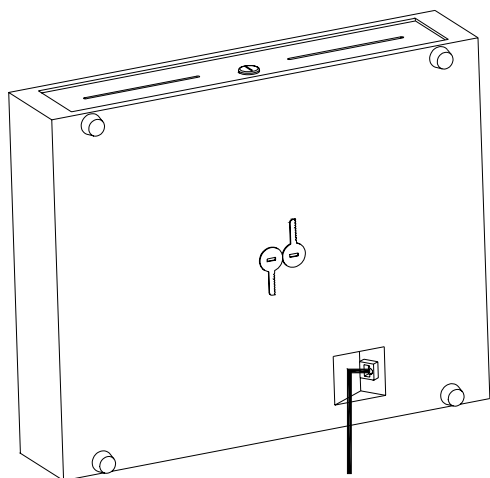
## Un-boxing the System

1. Open the point of sale box and remove the contents.
2. Remove all packing materials.

## Installation

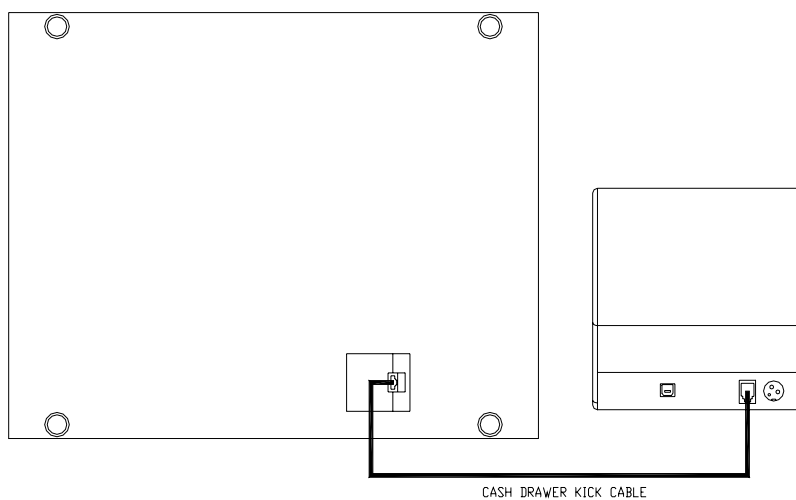
1. Orient the cash drawer on its back side on your cash wrap (counter). Remove the keys. Locate the cash drawer cable package, labeled 'APG cash drawer 320 Multipro cable kit'. Connect the end with the larger modular plug into the jack on the base of the cash drawer.

Figure 1: Bottom View of Drawer



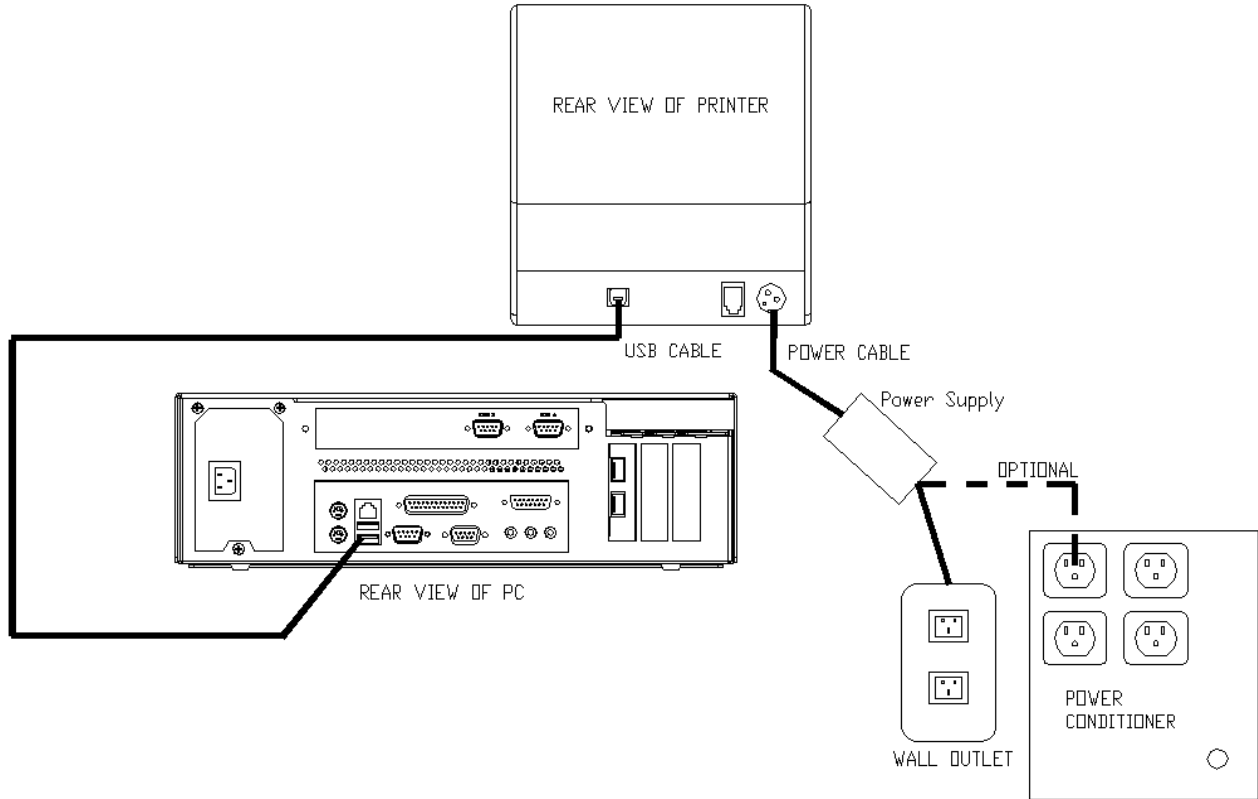
2. Lay down the cash drawer and place the cable to the side.
3. Connect the other end of the cash drawer cable to the POS printer drawer port, labeled 'DK'.

Figure 2: Bottom View of Drawer



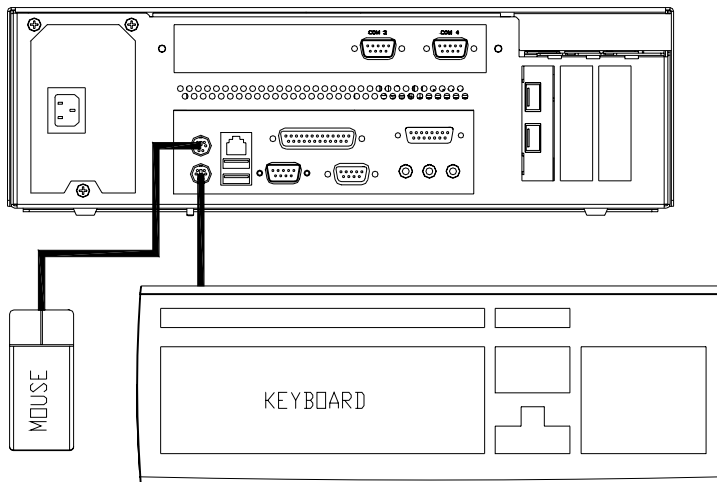
4. Connect the printer USB cable from the printer to a USB port on the rear of the PC.
5. Connect the power cable from the printer power supply to the connector on the printer. Connect the AC cable to the printer power supply and then to a wall outlet or the optional Power Conditioner.

Figure 3: Rear View of components



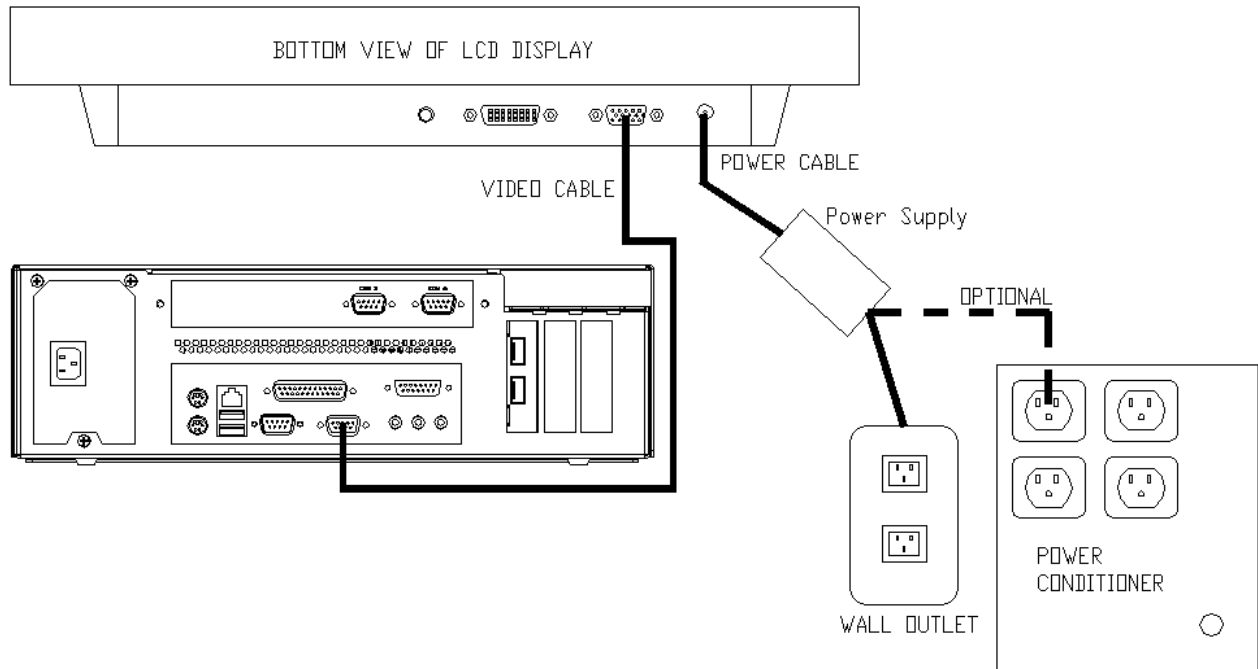
6. Connect the mouse and keyboard cables to the PC. The mouse port on the PC is green and the keyboard port is purple.

Figure 4: Rear View of PC and Top views of keyboard and mouse



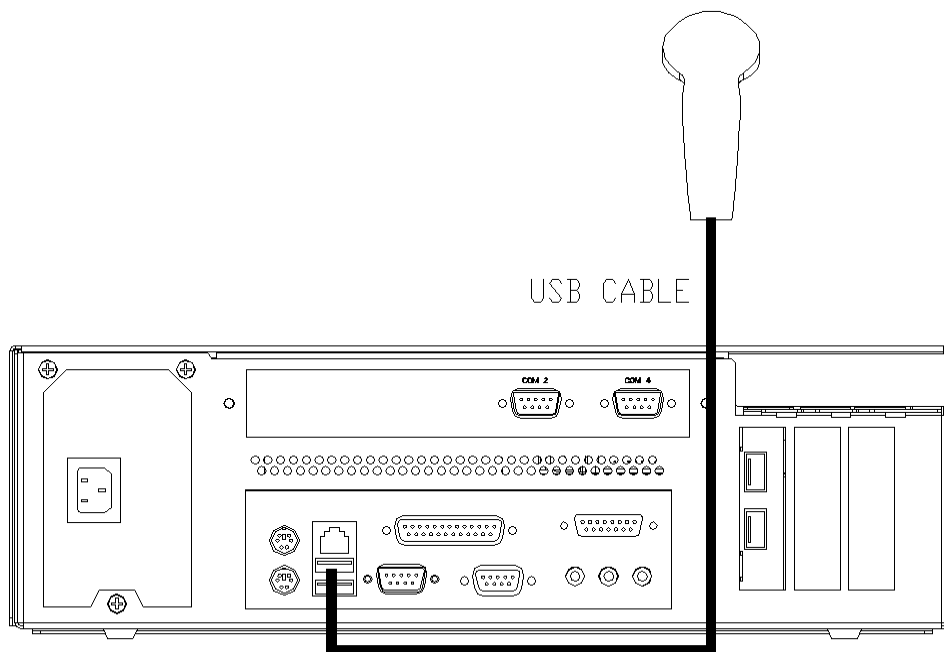
7. Remove the LCD, LCD VGA video cable and power supply from the LCD box. Connect the LCD VGA (Video) cable to the Video Port (Blue) on the back of the PC.
8. Connect the power cable from the LCD power supply to the connector on the LCD Display. Connect the AC cable to the LCD power supply and then to a wall outlet or the optional Power Conditioner.

Figure 5: Bottom View of LCD and Rear View of PC



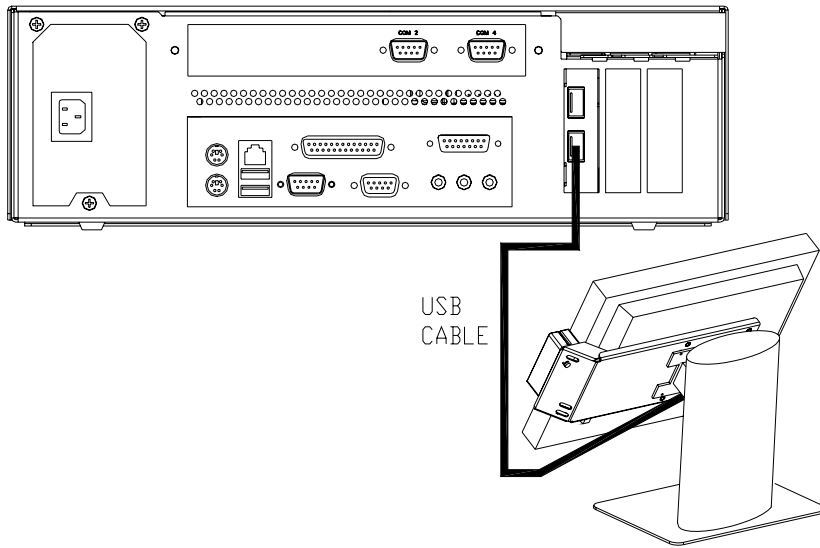
9. Connect the USB connector end of the Barcode Scanner cable to a USB port on the back of the PC. Connect the other end into the jack on the barcode scanner handle.

Figure 6: Rear View of PC



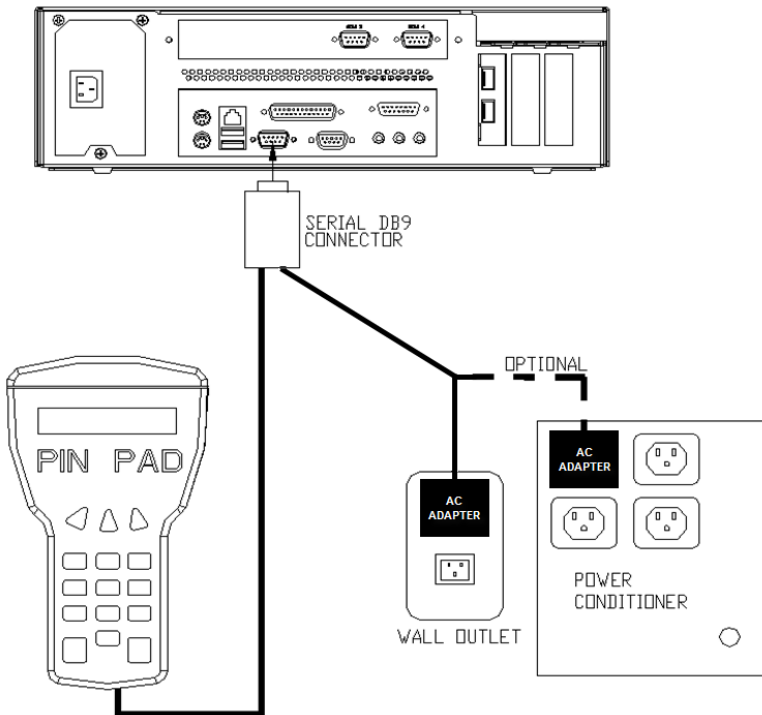
10. Connect the optional MSR (Magnetic Stripe Reader) to a USB Port. For instructions on the MSR bracket installation, refer to the install guide included with the MSR bracket assembly.

Figure 7: Rear View of PC and Back View of LCD



11. Connect the optional Payment Terminal (Pin Pad or Signature Capture device) to a Serial Port on the back of the PC. For instructions on the Signature Capture device cable connections, refer to the install guide included with the terminal. Plug the AC power adapter into a wall outlet or the optional Power Conditioner.

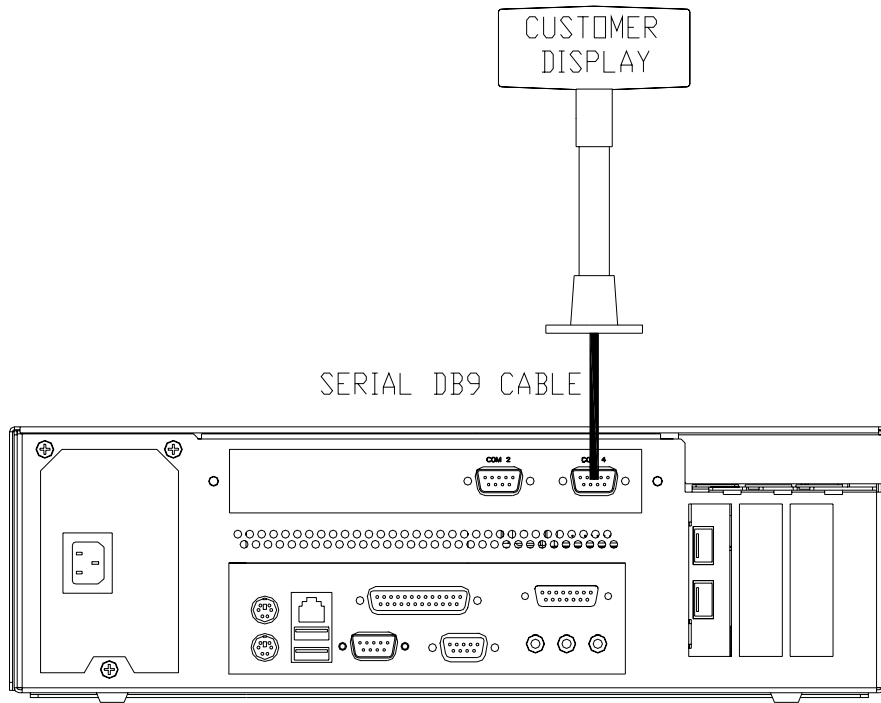
Figure 8: Rear View of PC and Top View of Pin Pad device





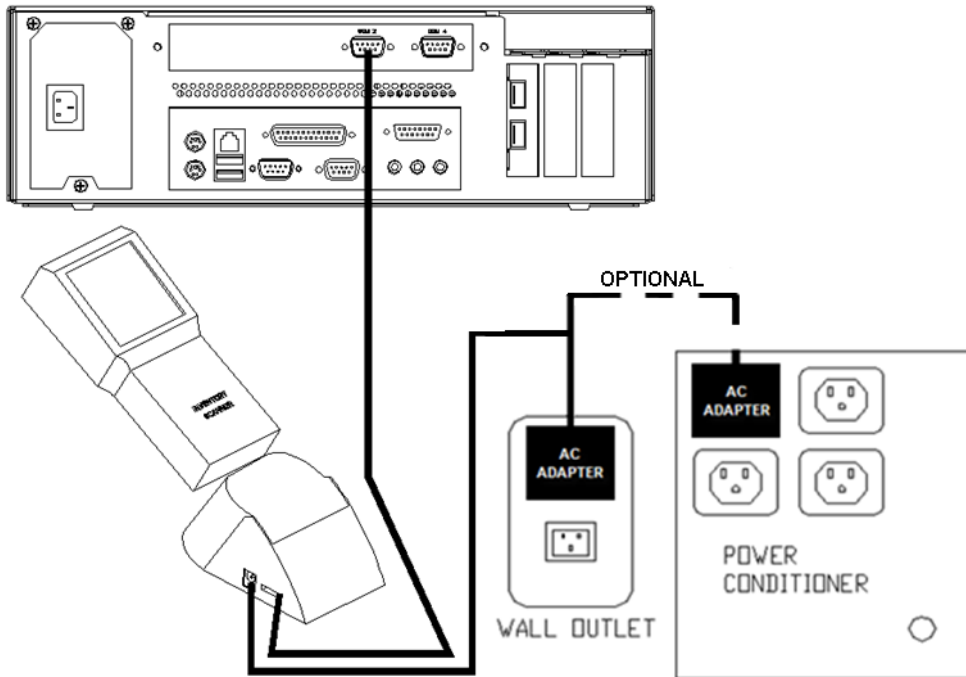
12. Connect the optional Customer Pole Display cable to the serial port labeled Com 4 on the back of the PC.

Figure 9: Rear View of PC



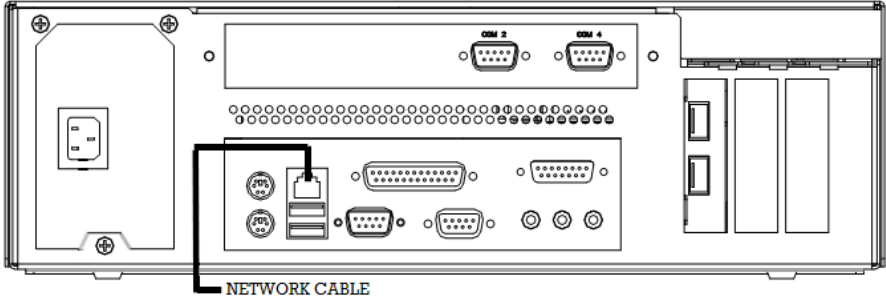
13. Connect the optional Inventory Scanner to a serial port on the back of the PC. Then plug the AC power adapter into a wall outlet or the optional Power Conditioner.

Figure 10: Rear View of PC and Top View of Inventory Scanner



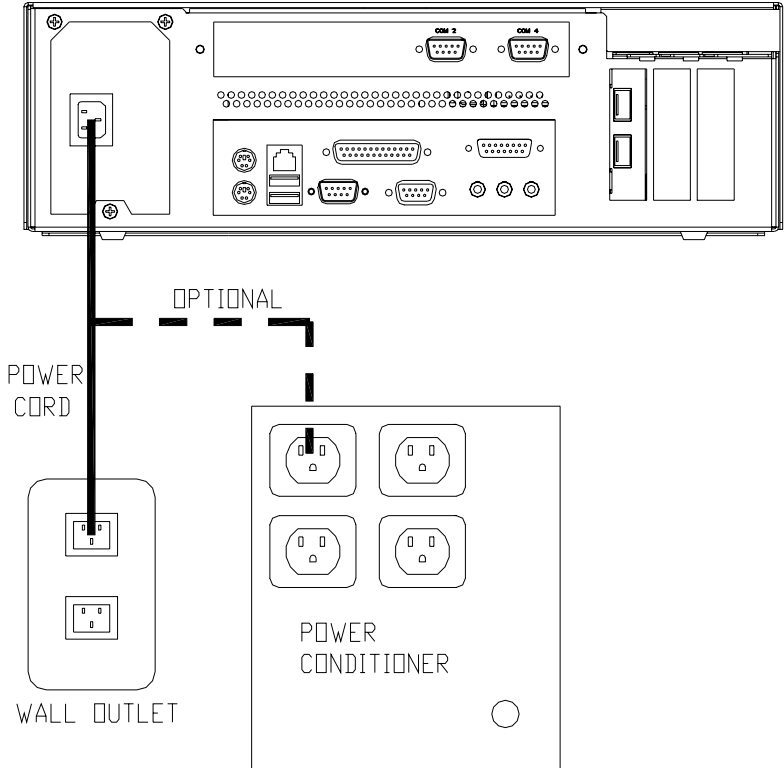
14. Connect a site provided network cable into the network jack on the back of the PC.

Figure 11: Rear View of PC



15. Plug the PC power cord into the receptacle on the rear of the PC and then into the wall outlet or optional Power Conditioner.

Figure 12: Rear View of PC



## Powering On Your 2200 Series POS Bundle System

1. Remove the plastic protective sheets from the LCD Monitor and the optional customer display.
2. Turn on the ATX PC power by depressing the on/off switch located on the front left-hand side of the PC.
3. To activate the printer, turn on the printer rocker switch located on the front of the printer.
4. To activate the monitor, depress the on/off switch located on the lower right hand side of the monitor bezel.

You have completed the installation of UTC RETAIL's 2200 Series Bundled Point of Sale System. If you experience problems with any of the components of the 2200 Series Bundled POS System, see the "Troubleshooting Procedures" section below.

## Troubleshooting Procedures

The following table presents symptoms and solutions for problems potentially encountered when installing the 2200 Series Bundled POS System components.

Symptom	Solutions
<b>There is no image on the LCD monitor.</b>	<ul style="list-style-type: none"><li>• Check to see if the monitor power cable is properly connected to the monitor.</li><li>• Check to see if the SVGA cable is properly connected to the monitor.</li><li>• Make sure that the LCD monitor power is on.</li></ul>
<b>The printer does not have power.</b>	<ul style="list-style-type: none"><li>• Check to see if the printer power cable is properly connected to the printer.</li><li>• Make sure that the printer power switch is ON.</li></ul>
<b>The printer has power but the system does not boot to Windows.</b>	<ul style="list-style-type: none"><li>• Push the ATX power button in the front of the logic unit located on the front left hand side of the PC.</li></ul>
<b>A keyboard error message displays when you boot the 2200 Series POS unit.</b>	<ul style="list-style-type: none"><li>• Check to see if the keyboard cable is properly connected to the keyboard.</li><li>• Make sure that the keyboard cable is connected to the keyboard port (purple) on the logic unit, not to the mouse port (green).</li></ul>
<b>The pole display does not have power.</b>	<ul style="list-style-type: none"><li>• Make sure it is not plugged into COM port 1. Use COM port 4.</li></ul>

Please call UTC RETAIL's Technical Support at 800.349.0546, if you have any problems not addressed in the Troubleshooting Procedures or have questions about other sections of this documentation.