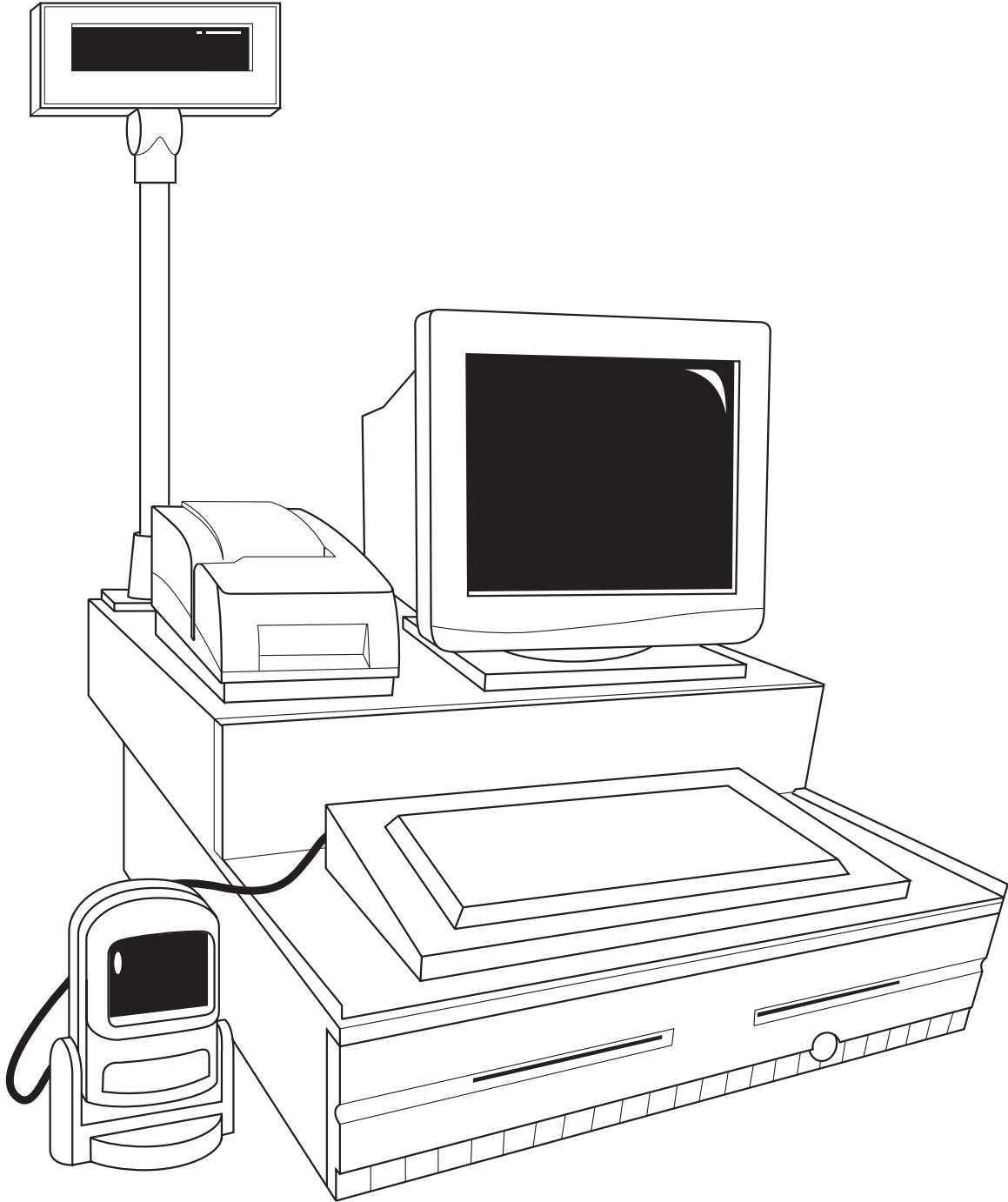


The Model 40 POS System

Installation and Setup



Contents

MEET THE MODEL 40!	1
SITE SPECIFICATIONS	2
SYSTEM SETUP (TYPICAL FACTORY-INTEGRATED SYSTEM)	2
SYSTEM SETUP (SYSTEM NOT FACTORY-INTEGRATED)	4
1. Position the Cash Drawer	4
2. Attach the Integrator	5
3. Install the Power Supply Module	6
4. Install the Logic Module (PC, ASCII Terminal, or Thin Client)	7
5. Install the Customer Display (optional)	9
6. Install the Printer	10
7. Install the User Display	11
8. Install the Retaining Bracket for the Power Supply Module and Logic Module	12
9. Install the Keyboard	13
10. Install the Scanner (optional)	14
11. Complete the Installation	15
FCC CLASS A STATEMENT	17
UL/CUL STATEMENT	17
HOW TO ACCESS TECHNICAL SUPPORT	17
OTHER DOCUMENTATION AVAILABLE	17
WARRANTY	18

This document is intended for technical personnel responsible for installation and setup of the Ultimate Technology Model 40 POS System.

For detailed information about a specific system component, please refer to the manual for that component or call Technical Support at the number below.

When this publication was written, every effort was made to ensure that the information in it was complete, accurate, and up-to-date. Ultimate Technology Corporation assumes no responsibility for errors beyond its control. Ultimate Technology Corporation also cannot guarantee that changes in software and equipment made by other manufacturers, and referenced in this document, do not affect the applicability of the information in this publication. If assistance is needed, please contact Technical Support at the address or phone number given below.

Contents of this publication may be changed without notice, and shall not be regarded as a warranty.

Copyright © 1999, Ultimate Technology Corporation
All Rights Reserved

Ultimate Technology Corporation

100 Rawson Road

Victor, NY 14564

Phone: (716) 924-9500

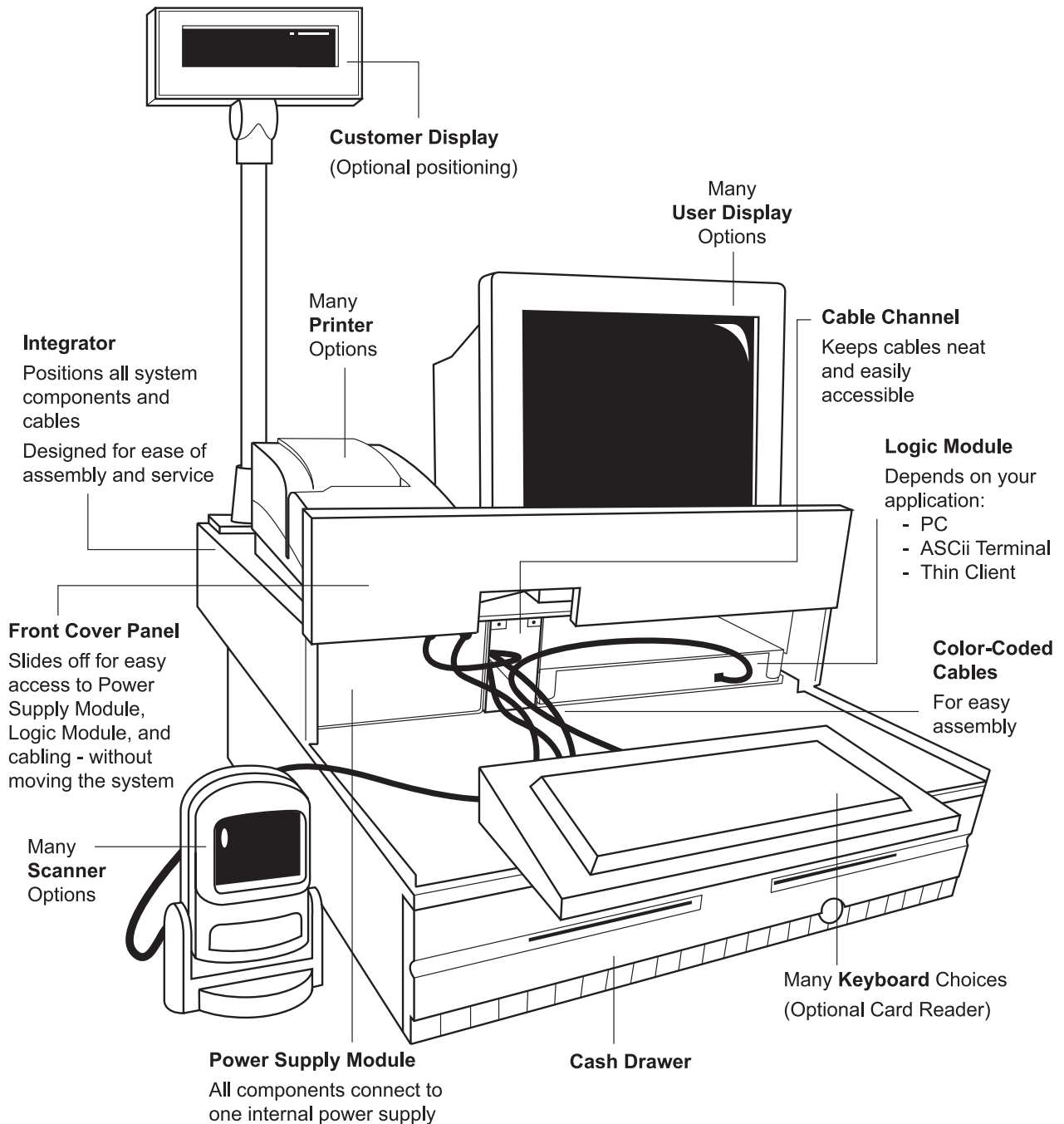
Fax: (716) 924-1434

www.ultimatetechnology.com

Meet the Model 40!

The Model 40 is a modular solution that allows you to build a unique system for your own specific POS application. *You* choose the Logic Module, Keyboard, Scanner, Printer, User Display, Customer Display, and Power Supply Module that's right for *your application*.

This diagram shows a typical system with an ASCII Terminal Logic Module. The components of your Model 40 System may look somewhat different, depending on the options you've selected.



Site Specifications

Footprint	22.5" deep x 20" wide <i>(height depends on User Display and Printer options selected)</i>
Weight <i>(approximate; actual weight depends on options)</i>	70 pounds
Recommended clearance	1" sides and back
Electrical service	110 volts AC 60 Hz at 3 amps

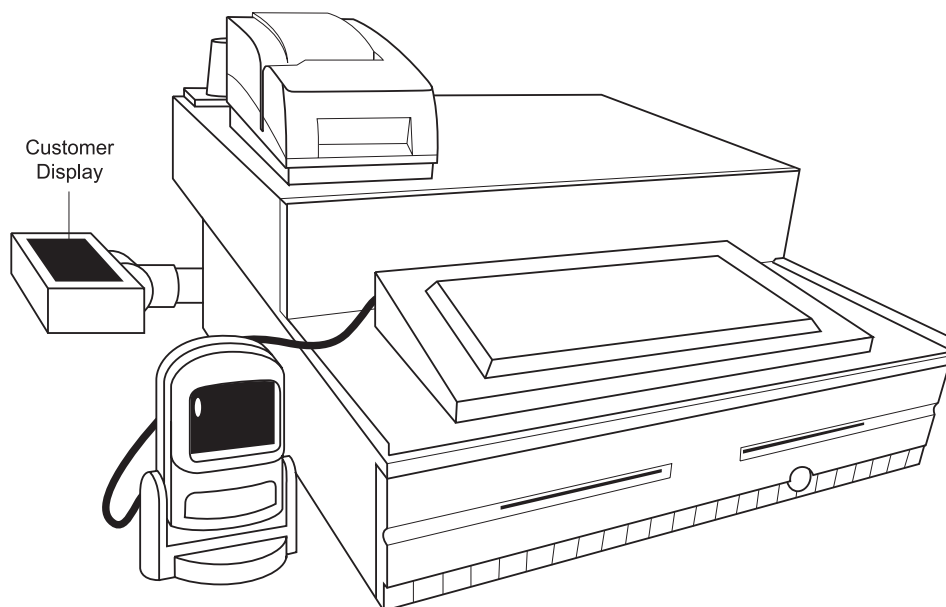
System Setup (typical factory-integrated system)

Most Model 40s are shipped as integrated systems: all components except the Customer Display and User Display are in place and connected. The level of integration of your system may be different, depending on your requirements.

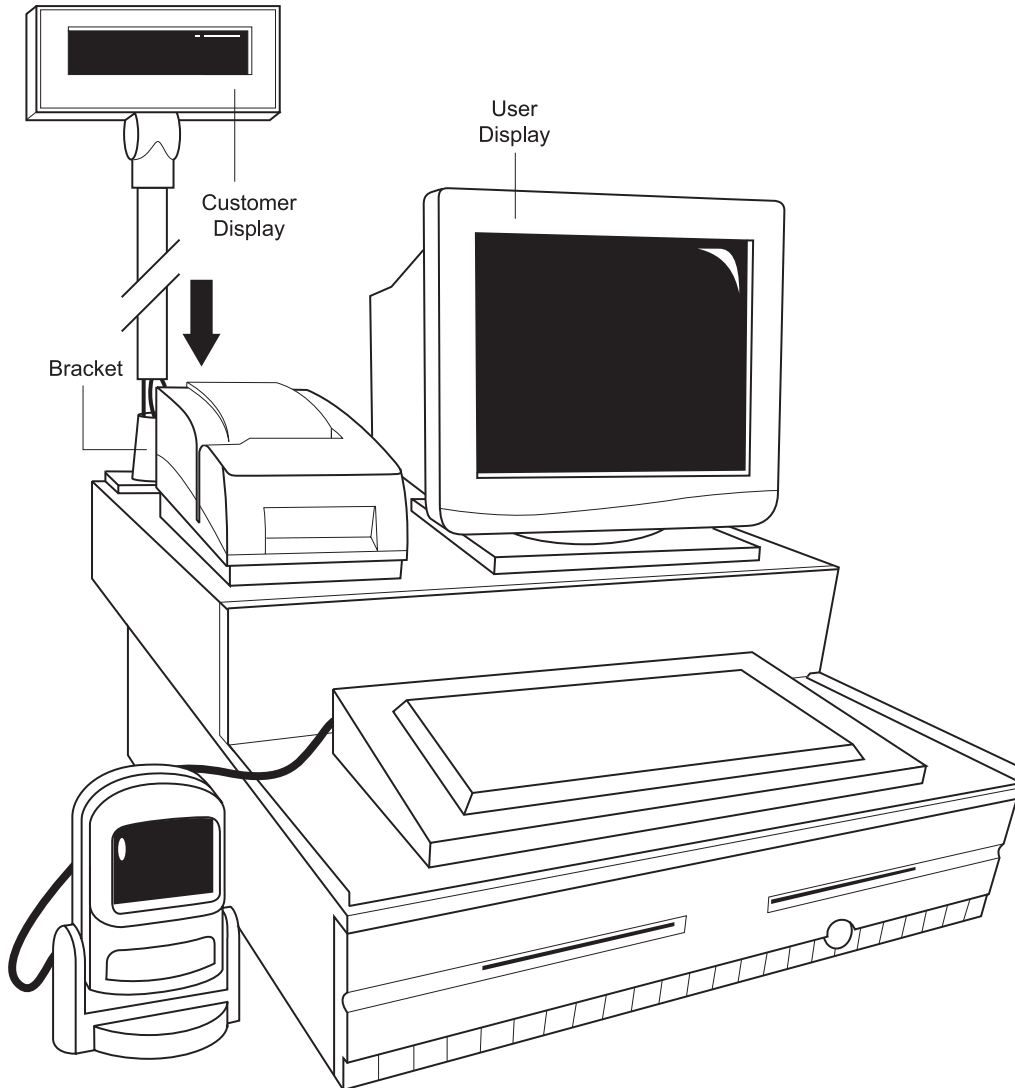
Setup of a factory-integrated system is very easy, and requires no tools:

- 1) Prepare the operator station (see Site Specifications above).
- 2) Unpack the larger carton, and position the Model 40 on the operator station.

CAUTION: The carton is heavy. Mechanical lifting assistance is recommended.



- 3) Before shipping, the Customer Display (if your system has one) has been removed from its bracket at the rear of the Integrator. Insert the pole into the bracket, being careful not to pinch the cables.
- 4) Unpack the User Display and position it on the Integrator.



- 5) Locate the loose end of the User Display power cord, and connect it to the matching receptacle at the rear of the User Display.
- 6) Locate the loose end of the User Display video data cable, and connect it to Logic Module video port.
- 7) Make any other auxiliary connections (network cable, etc.) required. Refer to illustrations on Pages 8 and 15 of this document.
- 8) Plug the main power cord into an approved AC outlet.
- 9) Turn the ON/OFF switch on the Power Supply Module to the ON position.
- 10) Follow your company's test protocol, if recommended.

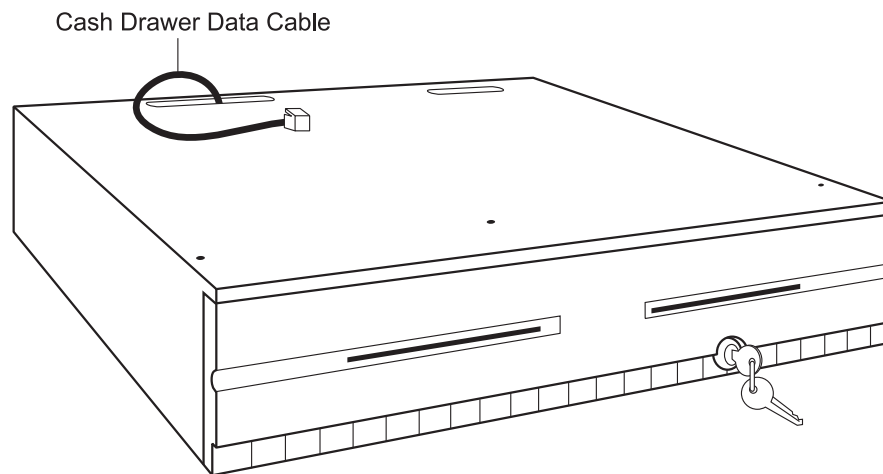
System Setup (system not factory-integrated)

The Model 40 System is easy to assemble, even when its components are shipped separately. The only tool you'll need is a flat-head screwdriver. Follow these steps to build your Model 40 System "from the ground up."

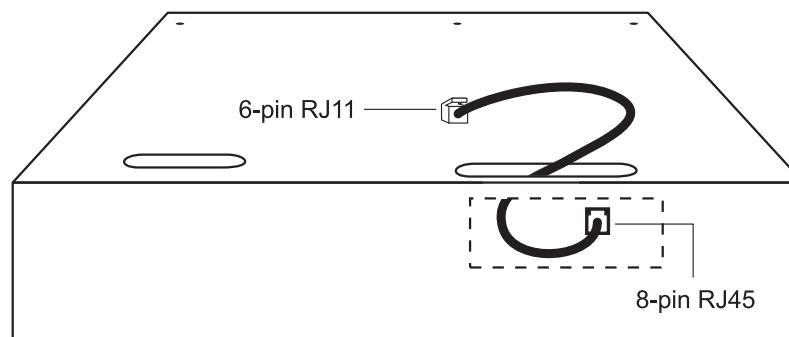
Refer to the wiring diagram for your system (packed with the Integrator) to identify specific components and cables.

1. Position the Cash Drawer

- Locate the Cash Drawer. The keys and the Cash Drawer data cable (one 6-pin RJ11 end and one 8-pin RJ45 end) are packed inside the drawer.
- Remove the cable and keys from the drawer.
- Remove the packing material from the edges of the cabinet.
- Close the drawer and put the keys in the lock.
- Attach the 8-pin end of the Cash Drawer data cable to the port at the rear of the Cash Drawer.
- Feed the 6-pin end of the cable up through the larger cable access hole at the top of the Cash Drawer.



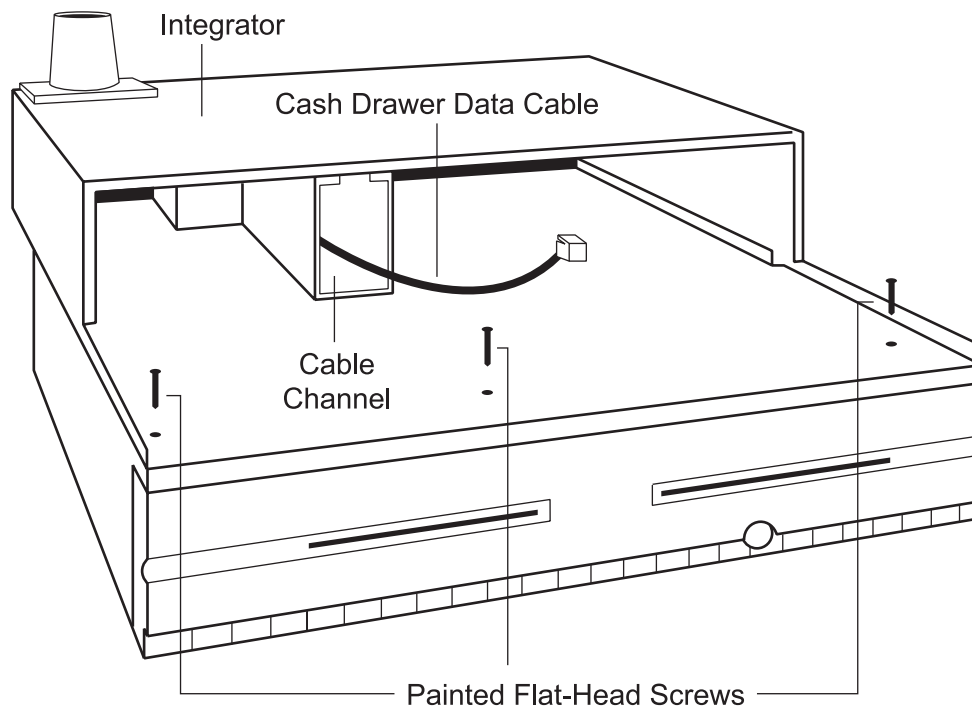
Cash Drawer Front



Cash Drawer Back

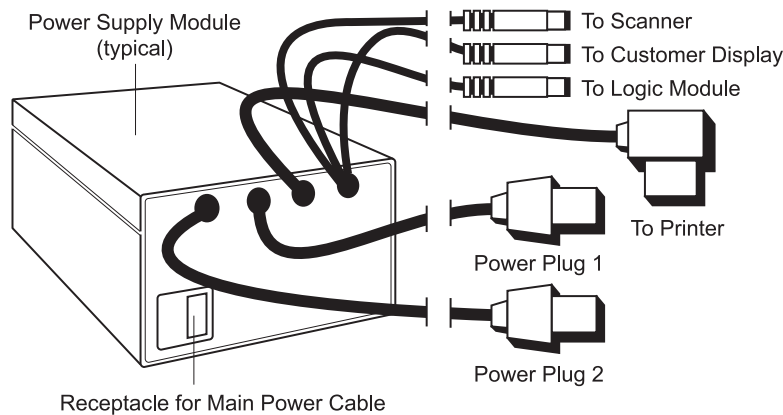
2. Attach the Integrator

- a) Locate the Integrator and the packet of brackets and screws.
- b) Slide the Front Cover Panel upward and off. Set it aside.
- c) Position the Integrator on top of the Cash Drawer (the back of the Integrator will overhang the Cash Drawer by about 2").
- d) Pull the loose 6-pin end of the Cash Drawer data cable through the Cable Channel to the front of the Integrator.
- e) Use the three painted flat-head screws to attach the Integrator to the Cash Drawer.



3. Install the Power Supply Module

- a) Locate the Power Supply Module (with factory-installed cables already in place) and the main power cable.

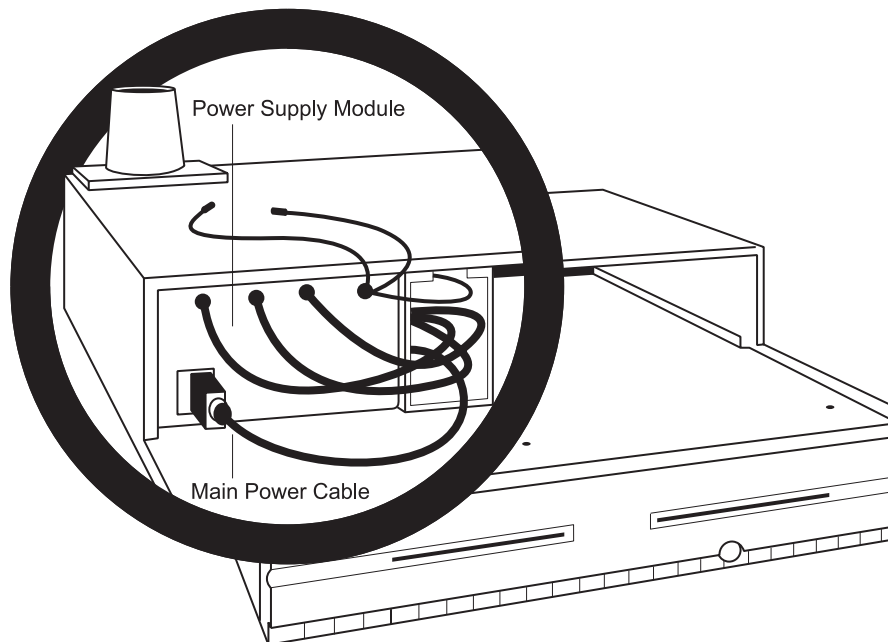


NOTE: Because different options have different power requirements, your Power Supply Module may look slightly different from the illustration, but all cables will be labeled and/or color coded.

- b) Plug the main power cable into the receptacle on the front of the Power Supply Module.

WARNING: Do not plug the main power cable into the wall outlet at this time.

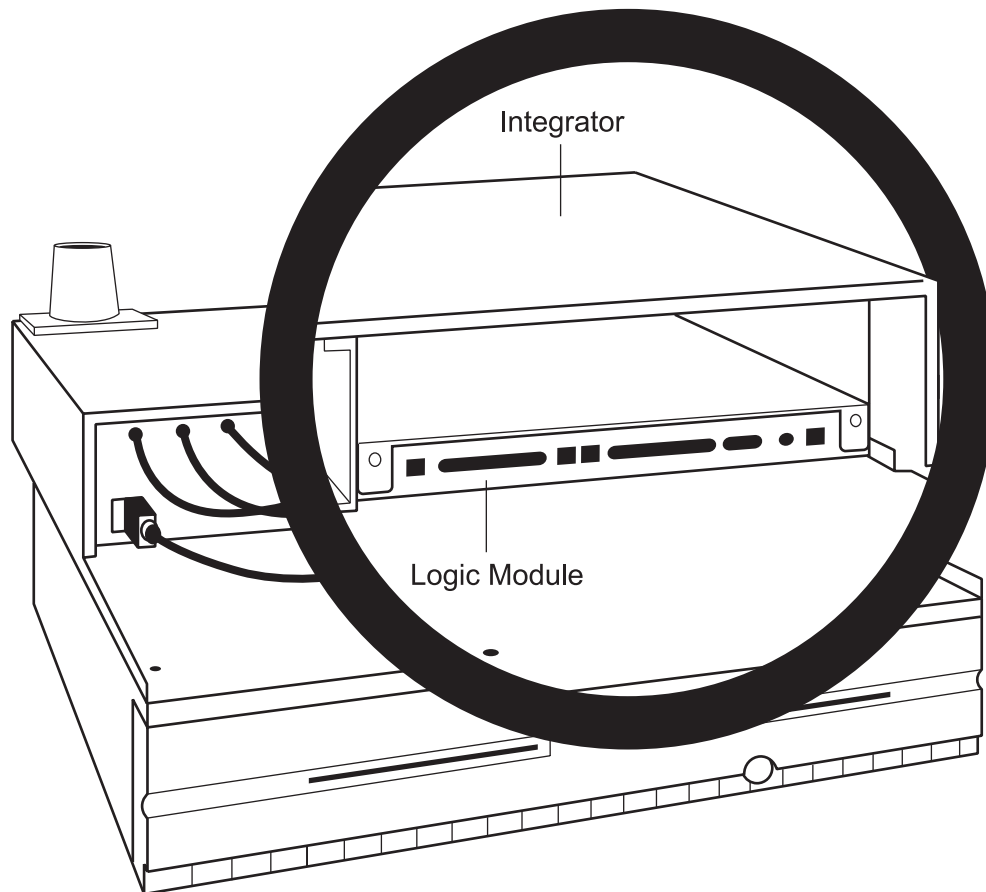
- c) Make sure the ON/OFF switch (at the back of the Power Supply Module) is in the OFF position.
- d) Slide the Power Supply Module into the left compartment of the Integrator, with the power supply cables facing the front.



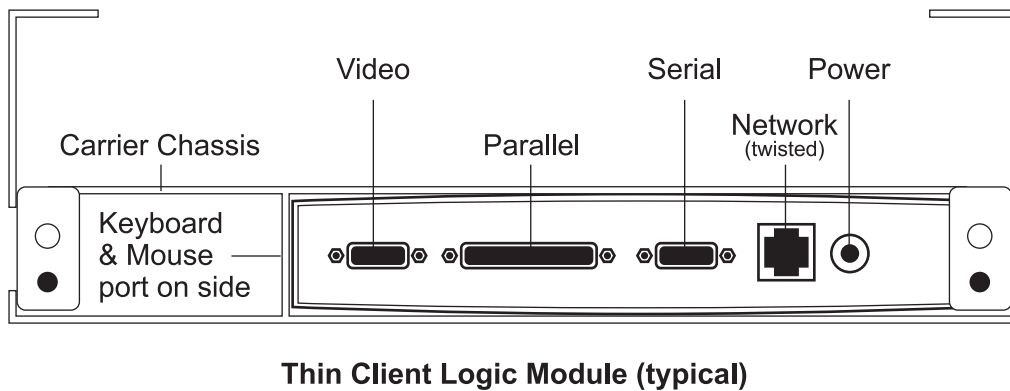
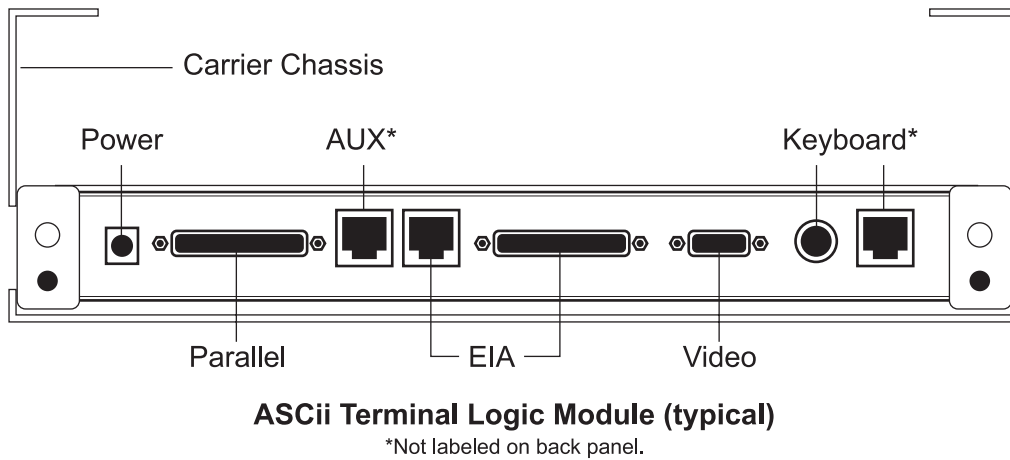
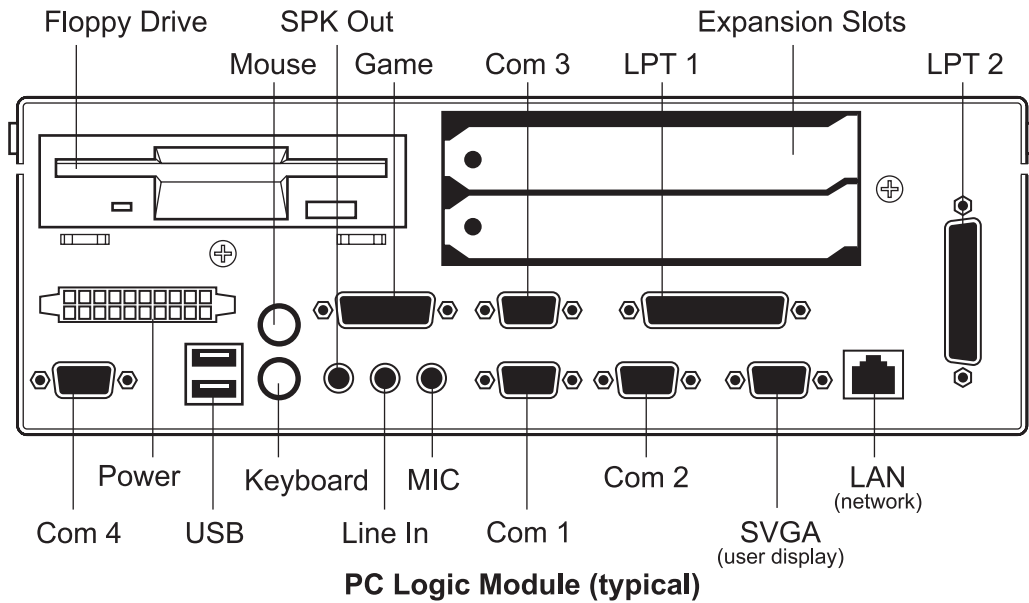
- e) Pass the main power cable, Printer power cable, and User Display power cable through the Cable Channel, letting them hang out the back of the unit until needed.

4. Install the Logic Module (PC, ASCii Terminal, or Thin Client)

- a) If you are installing an ASCii Terminal or Thin Client, move the module's ON/OFF switch to the ON position.
- b) Slide the Logic Module (with carrier chassis) into its compartment at the right side of the Integrator. The ports should face the front.



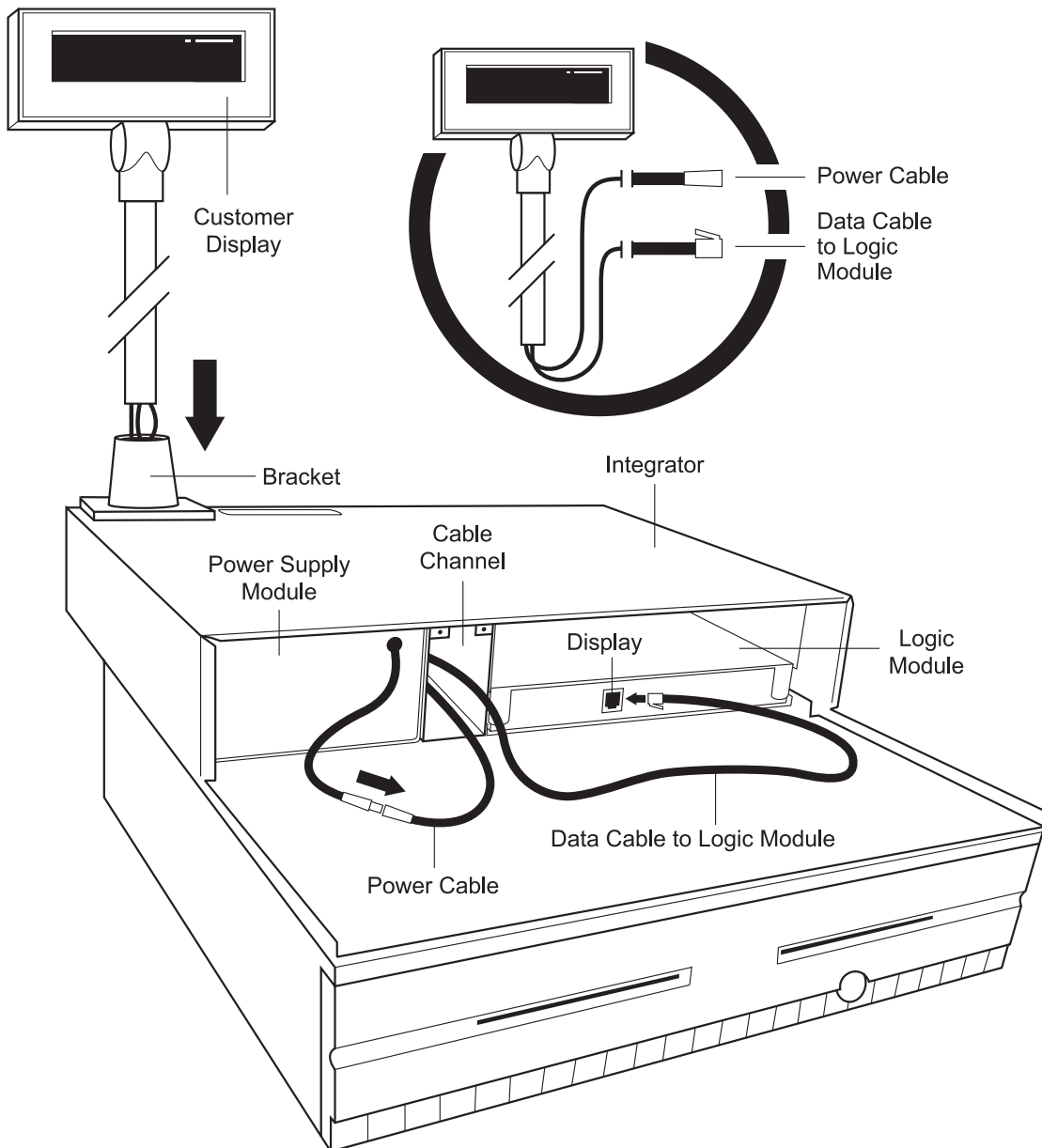
- c) Connect the Power Supply Module to the Logic Module power port, using the appropriate cable connection. Refer to the illustrations on Pages 8 and 9.



- d) If your system requires connection to a network, connect the host data cable to the network jack on the Logic Module. Feed the loose end of the host data cable back through the Cable Channel to the rear of the unit.

5. Install the Customer Display (optional)

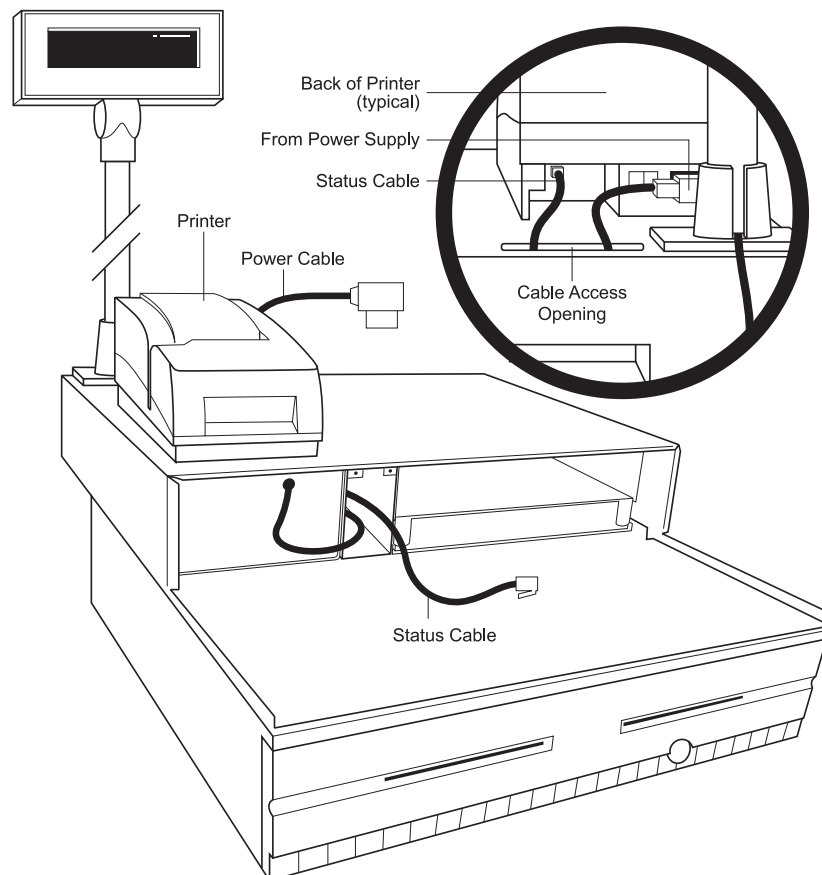
- a) The Customer Display has two cables: the power cable connects to the Power Supply Module, and the data cable connects to the Logic Module.
- b) Place the Customer Display pole into its bracket at the rear of the Integrator. Make sure both cables pass through the opening at the rear of the bracket, and check that the cables are not pinched.
- c) Pass both cables forward through the Cable Channel.
- d) Connect the data cable to the matching port on the Logic Module.



6. Install the Printer

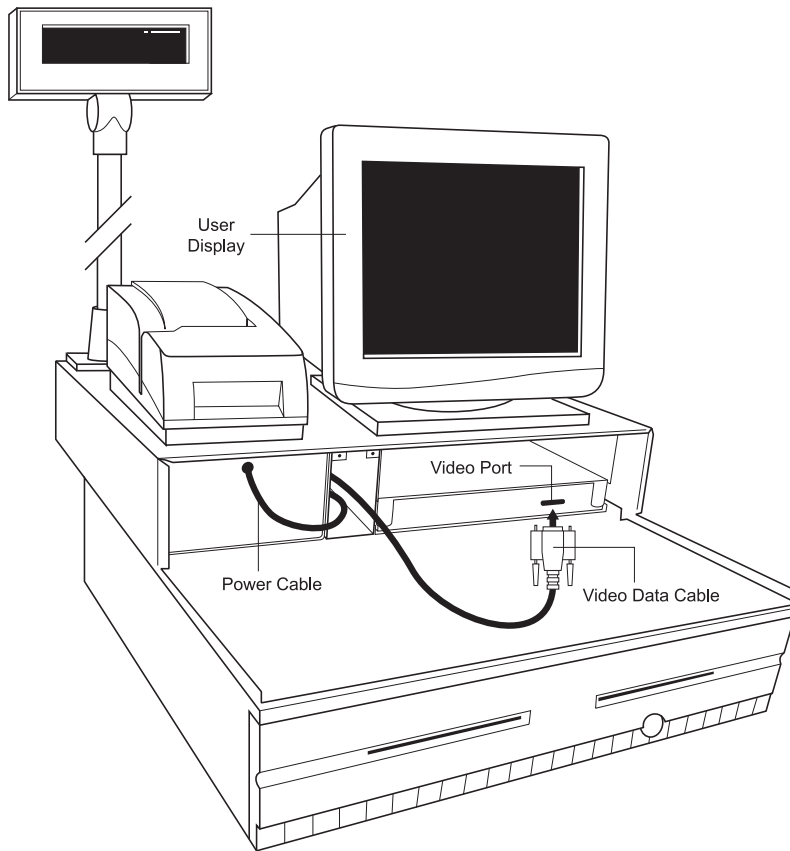
- a) There are many different Printer options for the Model 40 System. Locate your Printer and the yellow-coded status cable (RJ11 to RJ11 data cable).
- b) Place the Printer on the left side of the Integrator top, with its ports facing the rear of the unit.
- c) Attach one end of the status cable to the RJ11 connection port on the Printer.
- d) Bring the loose end of the status cable down through the cable access opening at the rear of the Integrator, then run it through the Cable Channel to the front of the unit. Leave this end disconnected until later in the installation.
- e) Locate the Printer data cable, and connect it to the matching port on the Printer. Pass the other end forward through the Cable Channel, and connect it to the matching port on the Logic Module.
- f) Route the Printer power cable up through the cable access opening at the rear of the Integrator, and connect it to the power receptacle on the Printer.
- g) If necessary, load the paper cartridge and/or ribbon, following the instructions that come with your Printer.

It is not possible to cover all Printer options in this document; for more detailed information and troubleshooting, consult the manufacturer's documentation for your Printer.



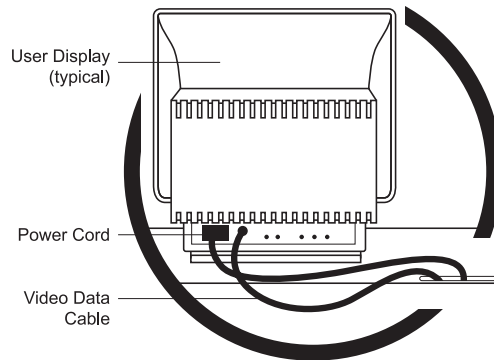
7. Install the User Display

- a) Place the User Display on top of the Integrator.



- b) Locate the video data cable at the back of the User Display. Pass it through the Cable Channel from back to front, and attach it to the matching port on the Logic Module.
- c) Locate the User Display power cord you left hanging at the rear of the unit, and connect it to the matching receptacle at the back of the User Display.

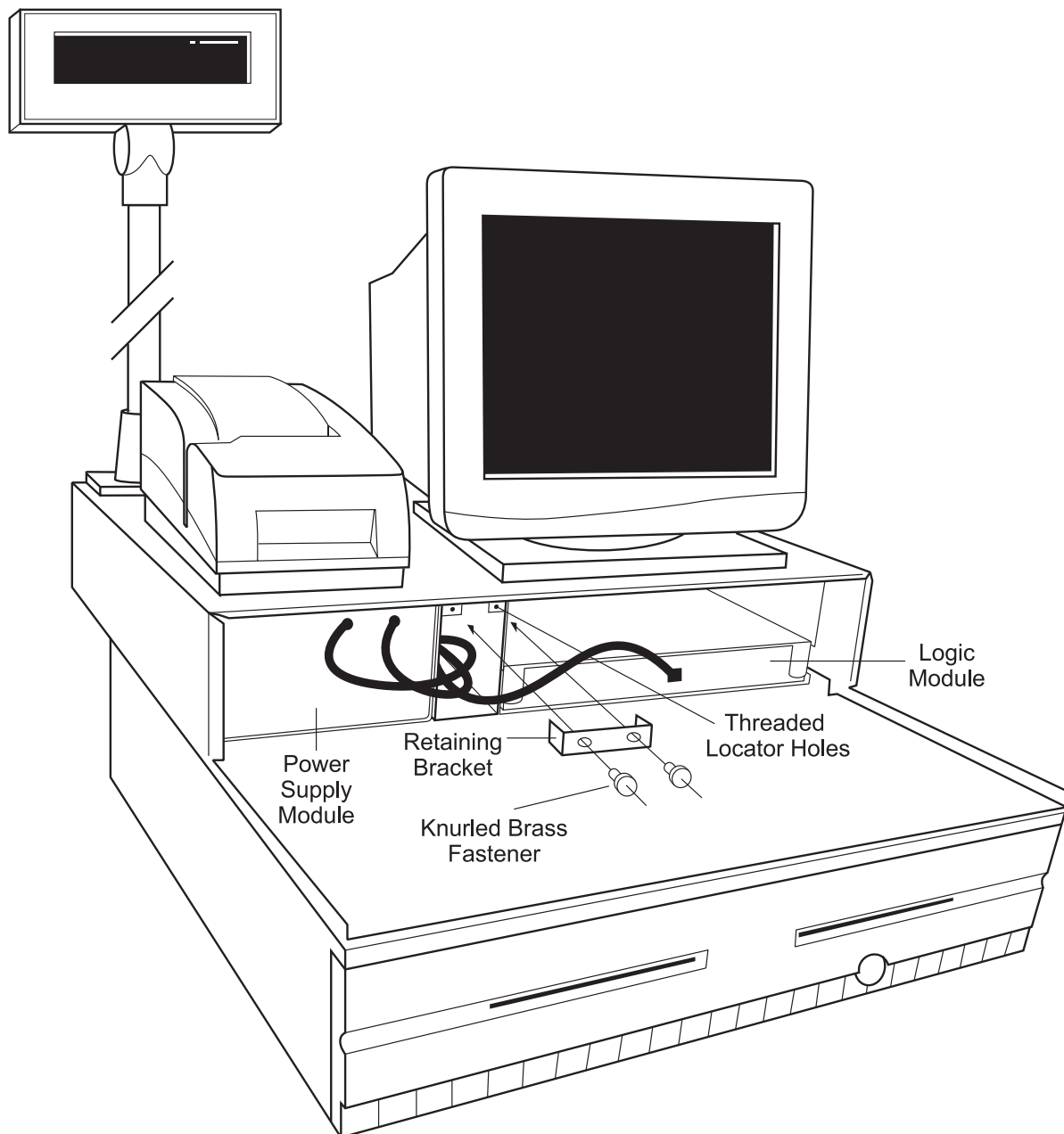
NOTE: There is one more power cable available; it can be used for a second Printer or other option, if required.



It is not possible to cover all User Display options in this document; for more detailed information and troubleshooting, consult the manufacturer's documentation for your User Display.

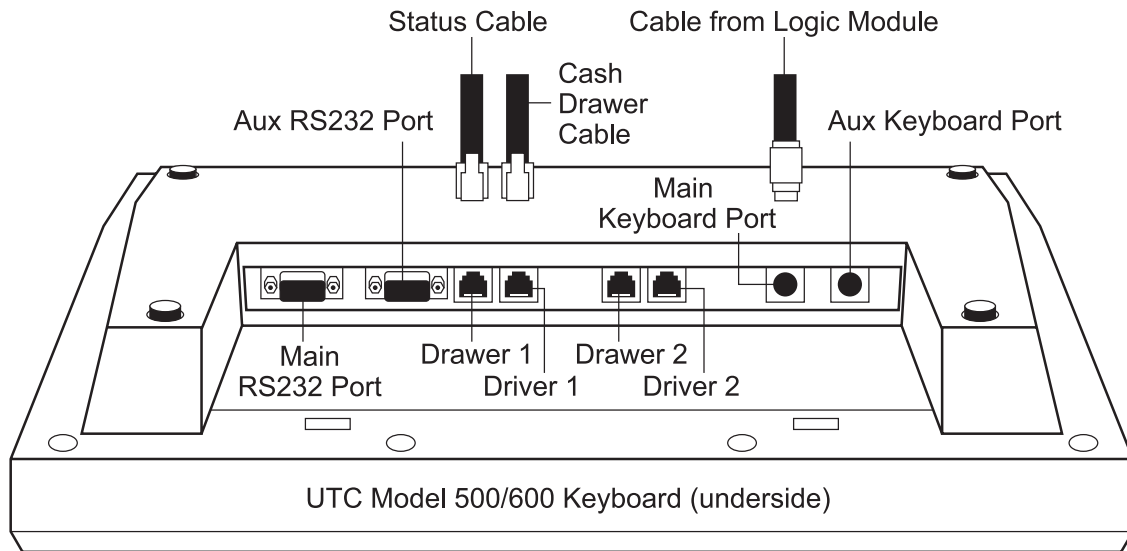
8. Install the Retaining Bracket for the Power Supply Module and Logic Module

- a) The Retaining Bracket keeps the Power Supply Module and Logic Module in place.
- b) Gently push back the Power Supply Module and Logic Module until the Retaining Bracket fits easily over the two threaded locator holes in the Integrator.
- c) Position the Retaining Bracket so it engages the notches in each of the modules, and so all the cabling fits inside the Integrator.
- d) Fasten the Retaining Bracket into place with the two knurled brass fasteners provided. Hand tighten the fasteners.



9. Install the Keyboard

- a) Remove the cover over the Keyboard ports.

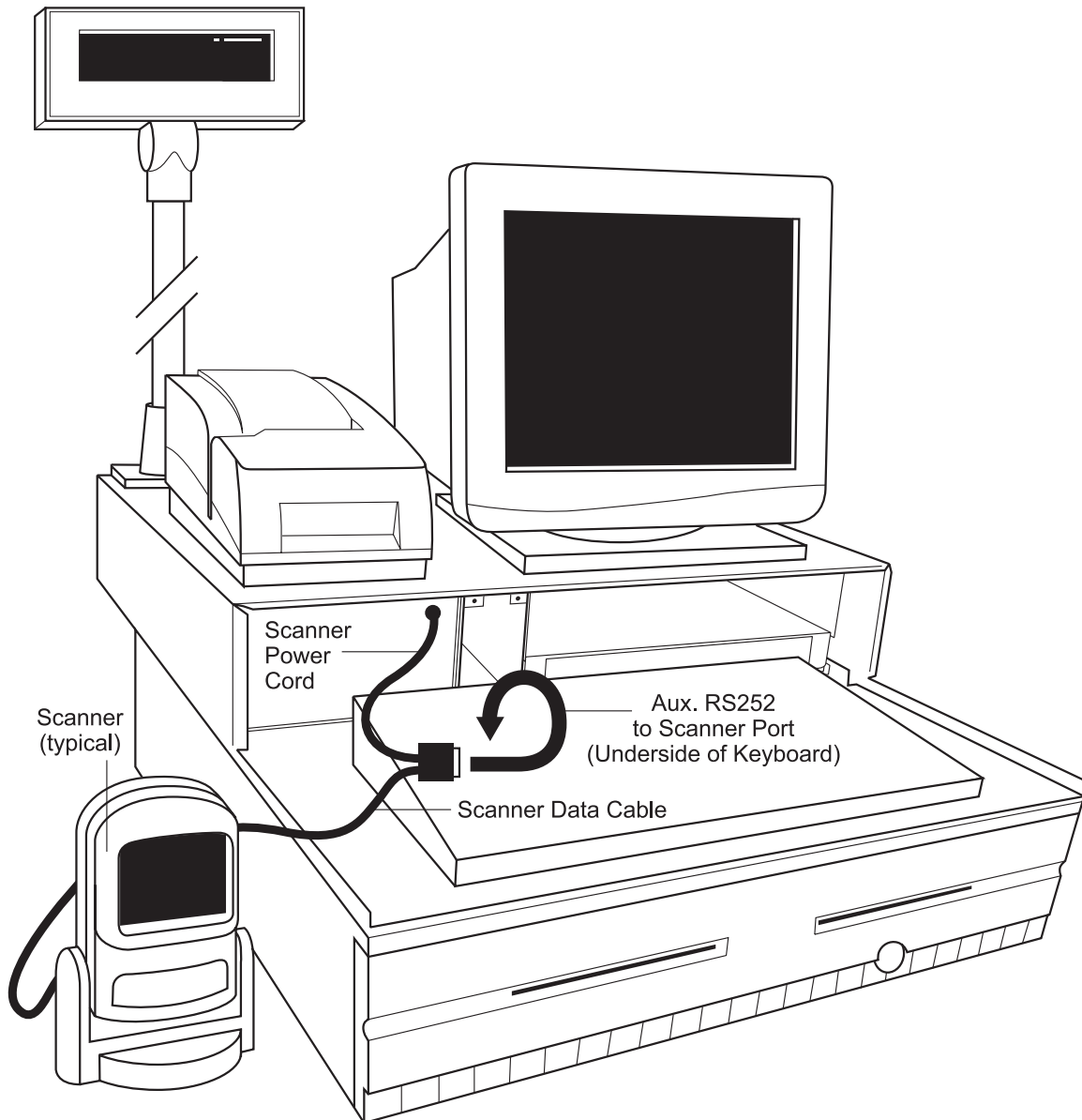


- b) Locate the orange-coded Keyboard data cable. Connect one end to the main Keyboard port, and the other to the Keyboard port on the Logic Module.
- c) Connect the loose end of the status cable (the other end is already attached to the Printer) to the Driver 1 port on the Keyboard.
- d) Locate the 6-pin RJ11 end of the Cash Drawer data cable (the other end is already attached to the Cash Drawer), and connect it to the Drawer 1 port on the Keyboard.

It is not possible to cover all Keyboard options in this document; for more detailed information and troubleshooting, consult the manufacturer's documentation for your Keyboard.

10. Install the Scanner (optional)

- a) Attach the Scanner data cable to the auxiliary RS232 port on the back of the Keyboard.
- b) Locate the Scanner power cord from the Power Supply Module. Insert it in the matching port on the Scanner cable or connector (this port is located in different positions for different Scanners).

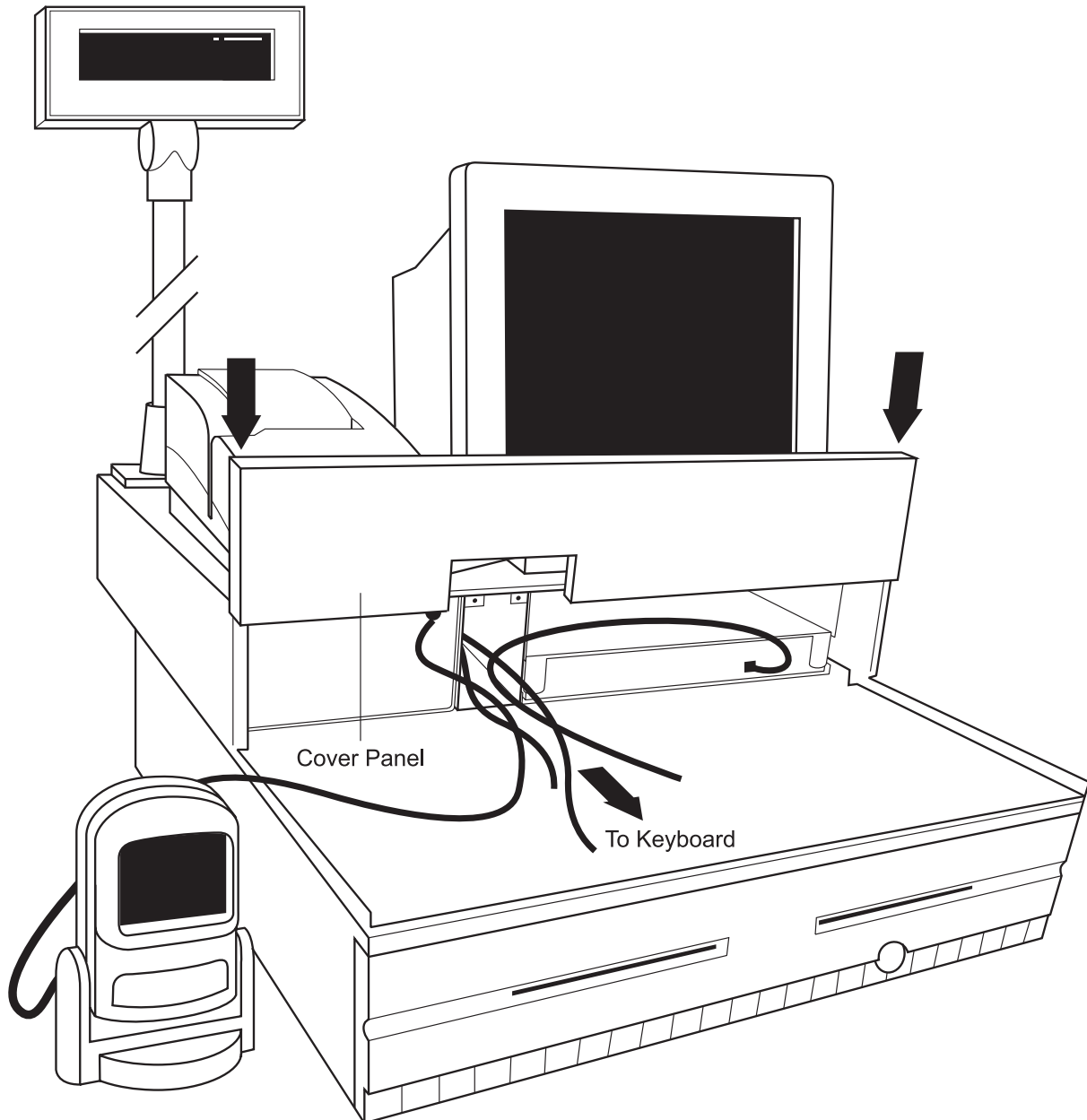


NOTE: the Scanner does not connect directly to the Logic Module.

It is not possible to cover all Scanner options in this document; for more detailed information and troubleshooting, consult the manufacturer's documentation for your Scanner.

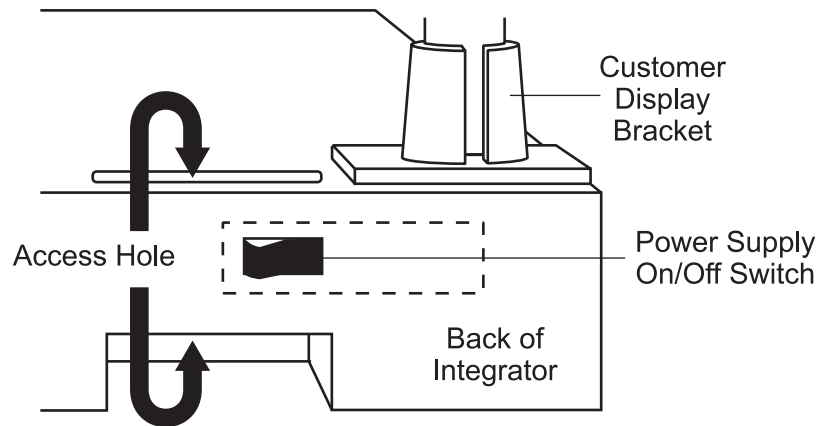
11. Complete the Installation

- a) Check that all cable connections are secured.
- b) Gently push any protruding cables back into the Integrator frame.
- c) Slide the Front Cover Panel into place, routing the cables for the Keyboard and Scanner through the opening at the bottom of the Panel.



- d) Replace the Cover Plate on the underside of the Keyboard.

- e) Plug the main power supply cord into an approved wall outlet.
- f) Move the ON/OFF switch on the back of the Power Supply Module to ON.



- g) Connect the network cable to the appropriate host port, if necessary.
- h) Follow your company's test protocol, if recommended.

FCC Class A Statement

This equipment complies with the limits for a Class A computing device in accordance with the specifications in Part 15 of FCC rules which are designed to minimize radio frequency interference in the installation. However, there is no guarantee that radio or television interference will not occur in any particular installation. If this equipment does cause interference to radio or television reception, which can be determined by turning the equipment off and on while the radio or television is on, the user is encouraged to try to correct the interference by one or more of the following measures:

- Reorient the radio or television and receiving antenna
- Relocate the keyboard with respect to the receiver
- Move the equipment away from the receiver

If necessary, the user should consult the dealer or an experienced radio/television technician for additional suggestions. The user may find the following booklet prepared by the Federal Communications Commission helpful: "How to Identify and Resolve Radio/TV Interference Problems." This booklet is available from the U.S. Government Printing Office, Washington, DC 20402. Order stock number 004-000-00345-4.

UL/CUL Statement

All system components comply with UL/CUL 1950 requirements.

How to Access Technical Support

If you have any questions about your Model 40 POS System, contact us at:

Ultimate Technology Corporation

100 Rawson Road

Victor, NY 14564

Phone: (716) 924-9500

Fax: (716) 924-1434

www.ultimatetechnology.com

Other Documentation Available

If you need more detailed information about a specific component of your Model 40 System that is not manufactured by Ultimate Technology Corporation, please consult the manufacturer's documentation for that component.

Warranty

One Year Limited Service Warranty Terms and Conditions

Ultimate Technology Corporation, 100 Rawson Road, Victor, NY 14564, warrants that the product shall be free from defects in material and workmanship for one year from the date of shipment from Ultimate Technology. In accordance with the terms of this limited warranty, Ultimate Technology, at its expense, shall either repair or replace any product returned to the Ultimate Technology Service Department in the original container or equivalent. It is the customer's responsibility to pay to ship the product to Ultimate Technology. Ultimate Technology will pay the return ground shipping charge within the Continental United States.

THIS ONE YEAR LIMITED WARRANTY COVERS repair or replacement of the UTC Manufactured Product at the discretion of Ultimate Technology Corporation if purchased from Ultimate Technology Corporation. THIS ONE YEAR LIMITED WARRANTY DOES NOT COVER loss or damages that occur as a result of shipping; or improper installation and maintenance by anyone other than Ultimate Technology Service; and/or an on-site Service Provider contracted by Ultimate Technology Corporation; and/or an UTC certified technician. This warranty does not cover acts of God or accident; misuse; neglect; misapplication of the product; exposure to extremes of temperature or humidity; and improper electrical power.

THIS LIMITED WARRANTY IS IN LIEU OF ALL OTHER WARRANTIES OR CONDITIONS, EXPRESSED OR IMPLIED. THERE ARE NO WARRANTIES OF MERCHANTABILITY OR FITNESS FOR A PARTICULAR PURPOSE. ULTIMATE TECHNOLOGY CORPORATION WARRANTY OBLIGATIONS AND BUYER'S REMEDIES ARE EXCLUSIVELY STATED HEREIN. ULTIMATE TECHNOLOGY'S LIABILITY, WHETHER BASED ON CONTRACT, TORT, WARRANTY, STRICT LIABILITY, OR ANY OTHER THEORY, SHALL NOT EXCEED THE PRICE OF THE INDIVIDUAL UNIT WHOSE DEFECT OR DAMAGE IS THE BASIS FOR THE CLAIM. IN NO EVENT SHALL ULTIMATE TECHNOLOGY CORPORATION BE LIABLE FOR ANY SPECIAL OR CONSEQUENTIAL DAMAGES.

Some states do not allow limitations on how long an implied warranty lasts, or allow exclusion or limitation of incidental or consequential damages, so the above limitations may not apply to you. This warranty gives you special legal rights, and you may also have other rights, which vary, state to state.

Ultimate Technology Corporation

100 Rawson Road

Victor, NY 14564

Phone: (716) 924-9500

Fax: (716) 924-1434

www.ultimatetechnology.com